



A Problem Definition on Implementation of Website Using Responsive Web Design for Resolution of Civilians Complaints

Harsha Dawda; Neha Dongre; Mayuri Meshram & Prof.A.D.Gotmare

Department of Computer Engineering Bapurao Deshmukh College of Engineering, Sevagram-442102

Abstract:-

This paper goes for taking care of the issues of layman which are being confronted all the live long day relating to District Council. A site outlined with Responsive Web Development (RWD) adjusts the format to the client by utilizing liquid, extent based grids, flexible pictures, and CSS3 media inquiries an expansion of the media guideline. This can be accomplished by utilizing CSS3 and HTML5 for planning. Distinctive classes are planned in CSS, which are utilized in various areas as a part of code, these classes helps decrease the number of lines of code of the undertaking and keeps from inline styling, which helps in keeping up symmetry all through the outline and design. For this we are going to consolidate PHP and it can just be blended with HTML code. The approval strategy proposed in this paper is connected to the minority asset database administration framework, it enhances the proficiency of framework advancement, lessen the support workload, enhance the precision of acceptance, is a compelling acceptance system through JavaScript. Alongside this we are going to envelop Browser similarity, content administration kind of issues.

Keywords: CSS3; HTML5; PHP JavaScript; RWD.

I. INTRODUCTION

Web outline envelops a wide range of abilities and orders in the creation and upkeep of sites. The distinctive regions of web configuration incorporate web visual computerization, interface outline, composing, including institutionalized code and restrictive programming, client experience plan and website improvement. Regularly numerous people will work in groups covering diverse parts of the configuration process, albeit a few planners will cover every one of them. The term web outline is regularly used to depict the configuration process, identifying with the front-end (customer side) configuration of a site including composing mark up. Web outline incompletely covers web designing in the more extensive extent of web improvement. Web creators are required to have a consciousness of convenience and if their part includes making mark-up then they are likewise anticipated that would be up and coming with web openness rules.

In our everyday life we confront loads of issues identified with awful street, absence of water supply and so forth. At whatever point we need to enroll our protests to any administrative office, we need to sit tight for so yearn for the determination. Subsequent to dropping the grievances, the inquiry emerges at which level of power chain of command the objection has come to. The layman is uninformed of the way the

protest will take after. The environment that we are going to make will permit individuals to join with the power specifically and pass on their issues.

Numerous sites are still not responsive; they are not upgraded for various gadgets, predominantly in light of the innovation utilized for site creation. While some web innovations are obsolete (e.g. Streak) because of their contraries with various forms of the program, new innovations, and www measures are in, the need of HTML5 and CSS3 for responsive outlining of site is expanding quickly.

II. PROPOSED WORK

❖ We could defeat the inadequacies of existing work such as Official site of Wardha District Council does not give the enhancement to the client to post his/her objections with respect to whichever issues confronted without stopping for even a minute, the power can continue further according to the protestation. On the off chance that the issue is fathomed, a message will be given to the malcontent else it is being conveyed forward to next managing power. The regular people can post pictures and recordings relating to objections. This site is going to go about as an extension in the middle of power and standard man.

❖ FEATURES

The features of proposed systems are as follows:

- Firsthand information provision.
- Provision of Google Translator.
- Transparency is maintained.
- Easy to maintain.
- User friendly and eco friendly.
- Responsive web Design.
- Browser Compatibility.

❖ ARCHITECTURAL DIAGRAM

We are going to join different innovations, for example, PHP, JavaScript, Html5, css3 to execute our proposed framework and to accomplish the targets of web configuration territory likewise Figure7 demonstrates how different advancements will be incorporated in our proposed framework. Utilizing this stream we are going to execute one authority site of Wardha District Council which contains the work, for example, if the grievance is determined then client is being educated if not then it is gone on to District Council. Grumbler will first enroll his/her dissensions relating to his/her area. The concerned division will look upon the dissensions and settle it generally the higher power might assume responsibility of it.

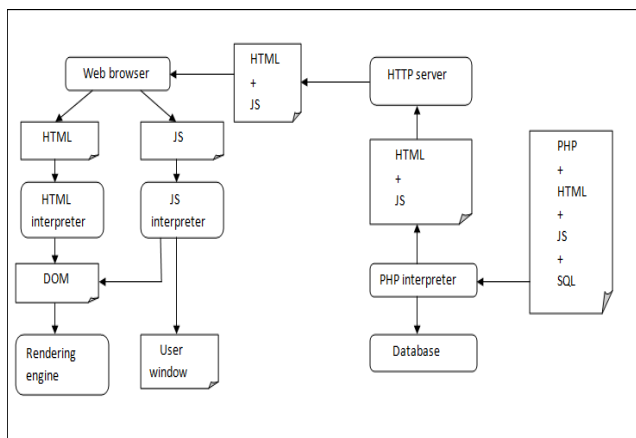


Figure1: Architecture diagram

To accomplish this component, we are going to actualize our proposed framework in three stages. In the first stage we execute just front end, i.e. GUI which will be in responsive format and additionally it will be perfect with all basic programs. All the while we make center end utilizing PHP to go about as a middle person between front end and back end and backend utilizing MYSQL.

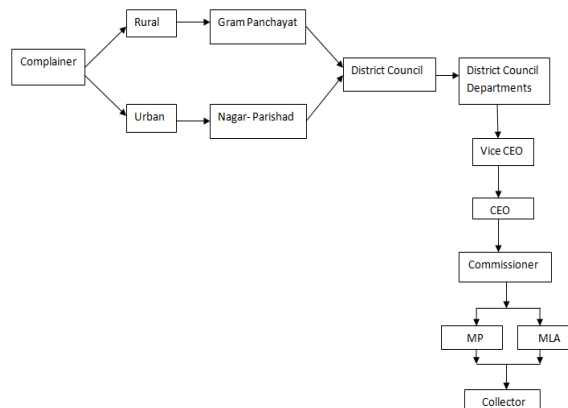


Figure2: Architecture of proposed work

As shown in above fig.2, a complainer can post his complaint pertaining to district council as follows:

- Either the grumbler will be native of country zone or urban zone in the event that he abides in provincial ranges than first of he/she needs to way to deal with Gram Panchayat and in the event that he is a tenant of urban zone then he needs to approach Nagar Parishad.
- If the whine doesn't get illuminated then it is given over to District Council where all managing officers will have the capacity to see the protests.
- After the whine compasses to District Council the arbitrator will choose to which office the protestation ought to go.
- If the officer carrying the obligation can understand it the affirmation is being sent to malcontent and on the off chance that he can't do it then he needs to responsible for his dissatisfaction with the protest.
- Now the objection is gone on to bad habit CEO of District Council and in the event that he can't do it, it is conveyed to CEO, Commissioner, MP, MLA and Collector.
- If the power gives a recommendation or objection he must be responsible to the complainer.

❖ ADVANTAGES

The Advantages of the proposed system are as follows:

- Transparency.
- No more greasing of palm.
- Accountability.
- Track of complaint can be known to user.
- Responsive Web Design.
- Compatible with all common browsers.



III. REFERENCES

- [1]Manya Sharma, “Web development Technology-PHP. How It Is Related To Web Development Technology ASP.NET” in international journal of scientific & technology research, January 2015, volume 4, issue 01.
- [2]Abdulrehman Mohamed, Dr. Cheruiyot W.K, PhD, &Dr. Richard Rimiru, PhD Liquidizer.js: “A Responsive Web Design Algorithm” in The International Journal Of Engineering And Science (IJES), 2015, Volume 4, Issue 5.
- [3]Girish Mehta¹, Kirti Sharma², Himanshu Saini³ “Responsive Web Development” in International Journal for Research in Applied Science & Engineering Technology (IJRASET), October 2014, Volume 2 Issue X.
- [4]Pallavi Yadav, Paras Nath Barwal, “Designing Responsive Websites Using HTML And CSS” in international journal of scientific & technology research, November 2014, volume 3, issue 11.
- [5]Bradley Efron, Robert Tibshirani, “Improvements on Cross-Validation: The .632+ Bootstrap Method”, in Journal of the American Statistical Association, Vol. 92, No. 438 ,Jun., 1997, pp. 548-560.
- [6]Ashwani Garg, Shekhar Singh “A Review on WebApplication Security Vulnerabilities”, in International Journal of Advanced Research in ComputerScience and Software Engineering, January 2013, Volume 3, Issue 1.
- [7]Carstensen, P.H., and Vogelsang, L. "Design of web-based information systems - new challenges for systems development?"Proceedings of the 9th European Conference on Information Systems, Bled, Slovenia, December 2001, volume 2, issue 3, pp. 536-547.
- [8]Ayush Jain, “The Role and Importance of Search Engine and Search Engine Optimization” in international journal of Emerging Trends and Technology in Computer Science, May – June 2013, Volume 2, Issue 3.
- [9]W. H. Widen, “Implementation of JQUERY”, in IEEE national Conference, Oct. 2008, vol. 96, no. 10.
- [10]L. D. Paulson, "Building Rich Web Applications with AJAX", in The International Journal Of Engineering And Science (IJES),, 2005 , Vol. 38, No.10, pp. 14-17.
- [11]G. Lawton, "New Ways to Build Rich Internet Applications", in The International Journal Of Engineering And Science (IJES),, 2008, Vol. 41, No.8, pp. 10-12.