

Enhancement of Photovoltaic Systems with Cascaded Modular Multilevel Converters Using Fuzzy Controller

Mr. .CH.SREENU*1, N.SAIDULU*2,

Associate professor, Department of Electrical and Electronics Engineering#1.

M.Tech Student Department of Electrical and Electronics Engineering#2.

Abstract - The penetration of photovoltaic (PV) solar power generation in distributed generation (DG) systems is growing rapidly. This condition imposes new requirements to the operation and management of the distribution grid, especially when high penetration levels are achieved. Under this scenario, the power electronics technology plays a vital role in ensuring an effective grid integration of the PV system, since it is subject to requirements related not only to the variable source itself but also to its effects on the stability and operation of the electric grid. This paper proposes an enhanced interface for the grid connection of PV solar systems. The relationship between output voltage components of each module and power generation is analyzed with the help of a newly derived vector diagram which illustrates the proposed power distribution principle. On top of this, an effective control system including active and reactive components extraction, voltage distribution and synthesis, is developed to achieve independent active and reactive power distribution and mitigate the aforementioned issue. Finally, a 3-MW, 12-kV PV system with the proposed control strategy is modeled and simulated in MATLAB. Simulation and experimental results are provided to demonstrate the effectiveness of the proposed control strategy for large-scale grid-connected cascaded PA full detailed model is described and its control scheme is designed. The dynamic performance of the designed architecture is verified by computer simulations and Further Extension can be done using Fuzzy Logic Controller.

Key Words: Photovoltaic, Fuzzy Logic Controller, Distributed Generation, Solar Power Generation, Large-Scale Grid-Connected Cascaded.

1. INTRODUCTION

GLOBAL energy crises and environmental concerns [1]–[3] from conventional fossil fuels have attracted more and more renewable energy developments in the worldwide. Among of these renewable energy, solar energy is much easier to be harvested, converted, and delivered to grid by a variety of power converters [4]–[14]. In particular, large-scale grid-connected photovoltaic (PV) systems play gradients, etc. In a cascaded PV system, the total ac output voltage is synthesized by the output voltage from each

a major role to achieve PV grid parity and have been put forward in high penetration renewable energy systems [15]. As one type of modular multilevel converters, cascaded multilevel converters share many merits of modular multilevel converters, e.g., lower electromagnetic interference.

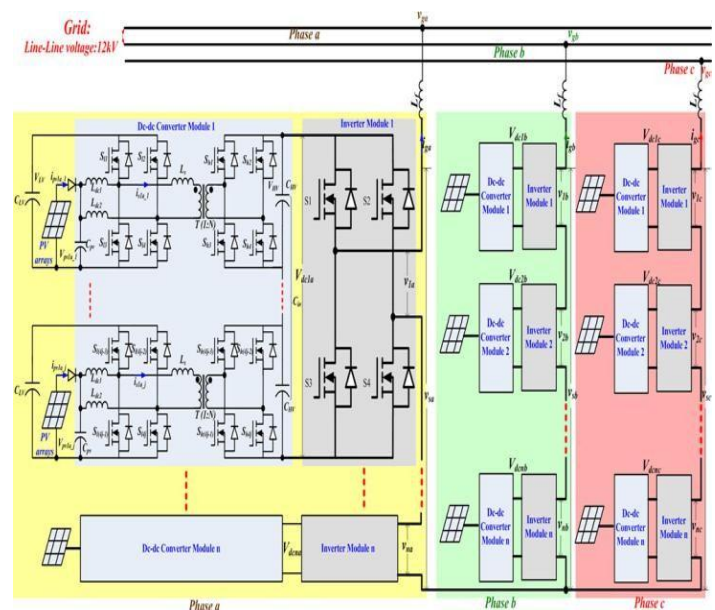


Fig-1: Proposed grid-connected PV system with cascaded multilevel converters at 3 MW

low device rating, improved harmonic spectra, modularity, etc., but also is very promising for the large-scale PV system due to its unique advantages such as independent maximum power point tracking (MPPT) for segmented PV arrays, high ac voltage capability, etc. [11]–[14]. However, cascaded multilevel converters in PV systems are different from their some successful application such as medium voltage motor drive, static synchronous compensator (STATCOM), harmonic compensator, solid state transformer, which are connected with symmetrical segmented dc sources. PV systems with cascaded multilevel converters have to face tough challenges considering solar power variability and mismatch of maximum power point from each converter module due to manufacturing tolerances, partial shading, dirt, thermal converter module in one phase leg, which must fulfill grid codes or requirements. Because same grid current flows through ac side of each converter module, active power



mismatch will result in unsymmetrical ac output voltage of these modules [14]. The converter module with higher active power generation will carry more portion of the whole ac output voltage, which may cause over modulation and degrade power quality if proper control system is not embedded into the cascaded PV system. Several control strategies have been proposed for the cascaded PV system with direct connection between individual inverter module and segmented PV arrays. But they did not consider the fact that PV arrays cannot be directly connected to the individual inverter module in high-voltage large-scale PV system application due to the PV insulation and leakage current issues. Even if there are low-frequency medium-voltage transformers between the PV converters and grid, there are still complicated ground leakage current loops among the PV converter module. Therefore, those methods in are not qualified for a practical large-scale grid-connected cascaded PV system. Moreover, reactive power compensation was not achieved, which largely limits the functions of the cascaded PV system to provide ancillary services. Proper reactive power compensation can significantly improve the system reliability, and in the meantime help the MPPT implementation for the cascaded module under unsymmetrical condition as well as comply with the system voltage requirement simultaneously. A reactive and active power control strategy has been applied in cascaded PV system with isolated dc-dc converter. If symmetrical active power comes from each module, active and reactive power can be equally distributed into these modules under traditional power control. However, if unsymmetrical active power is generated from these modules, this control strategy will not be able to achieve decoupled active and reactive power control. Reactive power change is along with the active power change at the same direction, which may aggravate output voltage over modulation during unsymmetrical active power outputs from segmented PV arrays. In order to solve the aforementioned issues, this paper proposes a large-scale grid-connected cascaded PV system including current-fed dual-active-bridge (CF-DAB) dc-dc converters and cascaded multilevel inverters as shown in Fig. 1. A decouple active and reactive power control system is developed to improve the system operation performance. Reactive power from each PV converter module is synchronously controlled to reduce the over modulation of PV converter output voltage caused by unsymmetrical active power from PV arrays. In particular, the proposed PV system allows a large low-frequency dc voltage ripple for each PV converter module, which will not affect MPPT achieved by CF-DAB dc-dc converters. As a result, film capacitors can be applied to replace the conventional electrolytic capacitors, thereby enhancing system lifetime.

2. SYSTEM CONFIGURATION

The proposed large-scale grid-connected PV system is presented in Fig. 1, which demonstrates a three-phase two-stage power conversion system. It includes n

cascaded multilevel inverter modules for connected to j cascaded CF-DAB dc-dc converter modules with high voltage insulation [32]. This configuration features many impressive advantages comparing with traditional PV systems with line-frequency transformer. The cascaded multilevel inverters are directly connected to the grid without big line-frequency transformer, and the synthesized output voltage from cascaded modules facilitates to be extended to meet high grid voltage requirement due to the modular structure. Each dc-dc converter module is interfaced with segmented PV arrays and therefore the independent MPPT can be achieved to harvest more solar energy. Moreover, it is immune to the double-line-frequency power ripple propagation into PV arrays. Particularly, the ground leakage current and PV insulation issues are effectively suppressed. In addition, flexible control strategies are able to be explored and applied in this topology each phase, where each inverter module is owing to more control variables and control degree-of-freedom. Although there is no accurate number about the cost benefits comparing with the traditional PV system with line-frequency transformer, it is obvious that the proposed PV system will have lower cost due to high power density and modular structure, which will significantly reduce the cost of the power platform using to install the PV system. This paper is focused on active and reactive power distribution control of the cascaded multilevel inverters in the proposed PV system. The detailed dc-dc converter design has been provided in [32] and will not be repeated in this paper. The selected application is a 3-MW/12-kV PV system in this paper. The n is selected to be 4 considering the tradeoff among the cost, lifetime, passive components, switching devices and frequency selection, and power quality. As a result, power rating of each inverter module is 250 kW. The average dc voltage of each inverter module is 3000 V based on the requirement of inverter output voltage, power devices as well as power quality. The second-order voltage ripple on the dc side is allowed to 20% even higher. Hence, film capacitor with 400 μ F, C_{in} , is eligible to improve the system lifetime. In addition, the modular structure enables the high-voltage high-frequency SiC power devices for the HVHP PV application. The switching frequency for each power device is 5 kHz. Due to the phase-shift carrier based phase-width modulation (PWM) control, the PV inverter will generate nine level output voltage and the equivalent output PWM frequency is 40 kHz for each phase. The current ripple of ac inductor is selected to be less than



20% of the rated output current. Therefore, the ac inductor with 0.8 mH, L_f , is acted as the filter. In each dc-dc converter module, L_{dc1} and L_{dc2} are dc inductors, and L_s is leakage inductor. CPV is high-frequency filter capacitor paralleled with PV arrays. High-frequency transformer with turn ratio N is connected between low-voltage side (LVS) converter and high-voltage side (HVS) converter. CLV are LVS dc capacitor and CHV are HVS dc capacitor.

TABLE-I: SYSTEM CIRCUIT PARAMETERS IN SIMULATION

Parameters	Symbol	Value	
PV inverter modules in each phase	Number	n	4
	DC Capacitor voltage	V_{dc} ($k=1,2...n; i=a,b,c$)	3000 V
	DC Capacitor size	C_{dc}	400 μ F
	Filter inductor	L_f	0.8 mH
Switching frequency	$f_{sw,dc}$		5 kHz
CF-DAB DC-DC converter module	Number	j	4
	Capacitor voltage in low voltage capacitor	V_{LB}	300V
	Capacitor voltage in high voltage capacitor	V_{HB}	600V
	Transformer turn ratio	N	2
	PV arrays output voltage	V_{pvt} ($k=1,2...n; i=a,b,c; r=1,2...j$)	100 V - 200 V
	Leakage inductor	L_s	2.5 μ H
	DC inductor value	L_{dc1}, L_{dc2}	12.5 μ H
	Capacitor in high voltage side	C_{HF}	2 mF
	Capacitor in low voltage side	C_{LF}	300 μ F
	PV arrays output capacitor	C_{PV}	100 μ F
	Switching frequency	$f_{sw,DC}$	50 kHz
	Grid (three phase)	Rated real power	P_g
Rated reactive power		Q_g	1.5 MVAR
Rated RMS line-line voltage		V_{gll}	12 kV

3. Fuzzy logic controller

A fuzzy logic controller has four main components as shown in Figure 2: fuzzification interface, inference mechanism, rule base and defuzzification interface. FLCs are complex, nonlinear controllers. Therefore it's difficult to predict how the rise time, settling time or steady state error is affected when controller parameters or control rules are changed. On the contrary, PID controllers are simple, linear controllers which consist of linear combinations of three signals.

Figure.2. Output and control signals for crisp PD control system Implementation of an FLC requires the choice of four key factors: number of fuzzy sets that constitute linguistic variables, mapping of the measurements onto the support sets, control protocol that determines the controller behavior and shape of membership functions. Thus, FLCs can be tuned not just by adjusting controller parameters but also by changing control rules, membership functions etc. The main advantages of adaptive fuzzy control over non adaptive fuzzy control are: better performance is usually achieved because the adaptive fuzzy controller can adjust itself to the changing environment, and less information about the plant is required because the adaptation law can help to learn the dynamics of the plant during real time operation. However, these approaches still have some problems. In

many applications, the structure of the model of the plant may be known, but its parameters may be unknown and/or change with time. Recently, the concept of incorporating fuzzy logic control into the model reference adaptive control has grown into an interesting research topic.

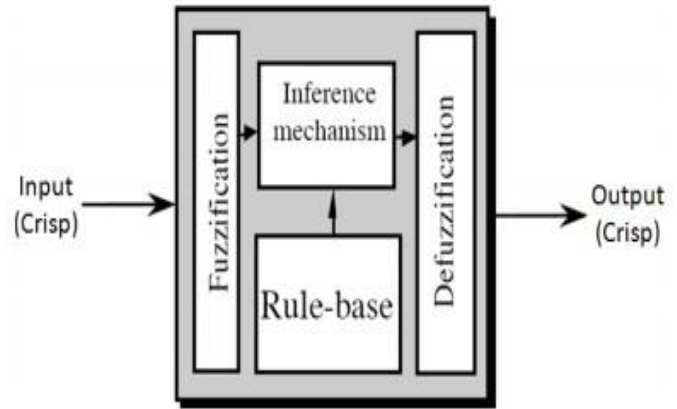


Fig-2: Fuzzy Logic Controller

Moreover, it can eliminate multiple harmonics in the circulating current with a single repetitive controller. However, the repetitive controller and the FUZZY controller are paralleled. Such an arrangement imposes unnecessary limitation on the FUZZY controller design and also complicates the repetitive controller design. This paper proposes a different repetitive-plus-FUZZY control scheme. The improved plug-in configuration of the repetitive controller avoids the above problems while keeping all the advantageous features.

In some control tasks, such as those in robot manipulation, the systems to be controlled have constant or slowly-time varying uncertain parameters. Unless such parameter uncertainty is gradually reduced on-line by an appropriate adaptation or estimation mechanism, it may cause inaccuracy or instability for the control systems. In many other tasks, such as those in power systems, the system dynamics may have well known dynamics at the beginning, but experience unpredictable parameter variations as the control operation goes on. Without continuous redesign of the controller, the initially appropriate controller design may not be able to control the changing plant well. The problem of adaptation of dynamical systems having parameter uncertainty has attracted a lot of research efforts in all times. In particular, for nonlinear systems, several approaches have been proposed to deal with this important problem [5-7]. On the other hands, as a model free design method, fuzzy logic systems have been successfully applied to control complex

or mathematically poorly understandable systems. However, the fuzzy control has not been regarded as a rigorous science due to the lack of guaranteed global stability and acceptable performance. To overcome these drawbacks, during the last decade, there has been growing interest in systematic analysis and design of fuzzy control systems such as stability and robustness [8-12]. One of the motivations in this research is the success developed in [9] where the authors provided a sufficient condition for the asymptotic stability of fuzzy control system based on Takagi-Sugeno (TS) model [8] in the sense of Lyapunov through the existence of a common Lyapunov function for all subsystems. In recent years, in order to deal with the uncertainties of nonlinear systems in the fuzzy control system literature, a lot of effort has been put to adaptive fuzzy control system such as neural network based approaches, and the TS model based approaches.

Rule base, inference mechanism and defuzzification methods are the sources of nonlinearities in FLCs. But it's possible to construct a rule base with linear input-output characteristics. For an FLC to become a linear controller with a control signal $U = E + CE$. Where E is "error" and CE is "change of error", some conditions must be satisfied:

1. Support sets of input linguistic variables must be large enough so that input values stay in limits.
2. Linguistic values must consist of symmetric triangular fuzzy sets that intercept with neighboring sets at a membership value of so that for any time instant, membership values add to 1.
3. Rule base must consist of -combinations of all fuzzy sets.
4. Output linguistic variables must consist of singleton fuzzy sets positioned at the sum of the peak positions of input fuzzy sets.
5. Should be multiplication and defuzzification method must be "centre of gravity" (COGS).

Synchronous Reference Theory (SRF)

In the load current signals are transformed into the conventional rotating frame d-q. If θ is the transformation angle, the transformation is defined by:

$$\begin{bmatrix} x_d \\ x_q \end{bmatrix} = \sqrt{\frac{2}{3}} \begin{bmatrix} \cos(\theta) & \cos(\theta - \frac{2\pi}{3}) & \cos(\theta - \frac{4\pi}{3}) \\ -\sin(\theta) & \sin(\theta - \frac{2\pi}{3}) & -\sin(\theta - \frac{4\pi}{3}) \end{bmatrix} \begin{bmatrix} x_a \\ x_b \\ x_c \end{bmatrix}$$

Fig.2 shows the basic configuration of synchronous reference frame. In the SRF is a time varying angle that represents the angular position of the reference frame which is rotating at constant speed in synchronism with the three phase ac voltages. In the srf is a time varying angle that represents the angular position of the reference frame which is rotating at constant speed in synchronism with the three phase ac voltages. To implement the SRF method some kind of synchronizing system should be used. In [6] phase-locked loop (PLL) is used for the implementation of this method. In this case the speed of the reference frame is practically constant, that is, the

method behaves as if the reference frame's moment of inertia is infinite. The fundamental currents of the d-q components are now dc values. The harmonics appear like ripple. Harmonic isolation of the d-q transformed signal is achieved by removing the dc offset. This is accomplished using high pass filters (HPF). In spite of a high pass filter, a low pass filter is used to obtain the reference source current in d-q coordinates.

4. CONTROL SYSTEM DESIGN

Fig. 3 shows the proposed control system of the grid connected cascaded PV converters including CF-DAB dc-dc converters control and cascaded multilevel inverters control in phase a . The same control system can be applied in phase's b and c .

A. CF-DAB DC-DC Converters Control

Fig. 3(a) shows the CF-DAB dc-dc converters control for one unit of dc-dc converter module 1 in Fig. 1 [32]. The same control can be used to other units. Due to the dual-active-bridge structure, this control has two degrees of freedom: the duty cycle D and the phase shift angle ϕ , by which the PV voltage V_{pv1a} and LVS dc-link voltage V_{LV} are controlled, respectively. V_{pv1a} is directly controlled by the duty cycle D so that it can be well kept at the reference voltage V_{pv1a} which is generated from MPPT algorithm [32].

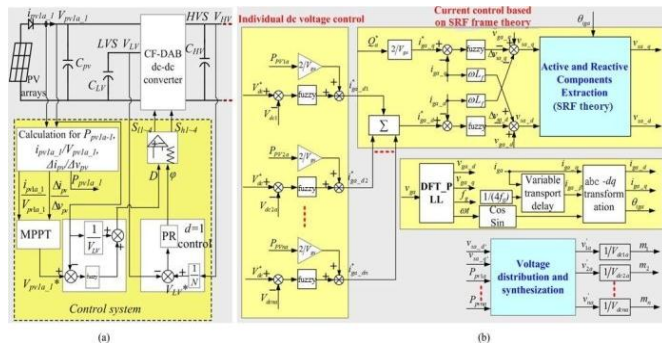
Usually the bandwidth of the duty cycle loop is about several kHz (e.g., 10 kHz in this paper), which is much higher than 120 Hz; thus, the double-frequency component in the LVS or HVS is blocked and high utilization factor of MPPT is reached in the PV side. For simplicity, a simple high bandwidth PI controller is applied. The PV voltage and current are both sensed for the calculation of P_{pv1a} , i_{pv1a} / v_{pv1a} , and $\Delta i_{pv} / \Delta v_{pv}$ which are used in MPPT algorithm. The MPPT algorithm generates a reference voltage V_{pv1a} for the PV voltage regulation. Power transferred from LVS to HVS is determined by the phase shift angle ϕ . By regulating LVS voltage through ϕ , the power generated from the PV arrays and the power delivered to HVS are matched. To minimize the peak transformer, the LVS dc-link voltage V_{LV} is controlled to follow the reference V_{LVN} , that is HVS voltage divided by turn ratio N , so that they are balanced. Proportional resonant (PR) controller is employed to obtain enough gain at double frequency to ensure the LVS voltage to dynamically follow the reference voltage B .

Cascaded Multilevel Inverter Control

In the cascaded multilevel converter control showing in Fig. 3(b), active power distribution between cascaded PV converter modules is decided by the individual maximum power available from PV arrays. Considering dc capacitors

connected with cascaded multilevel inverter modules have the same capacitance, reactive power from each module can be synchronously controlled to reduce the over modulation risk regardless of active power change. Therefore, the proposed control strategy can be called decoupled active and reactive power distribution control. The double-loop dq control based on discrete Fourier transform PLL method [8] is applied to achieve the active and reactive power distribution. The unique features of this control strategy are that active and reactive power is decoupled in each module by synchronizing with the grid current as described. Which are not achieved in traditional control methods in [30] and [31]. Due to the same grid current goes through ac side of each module, only grid voltage synchronization is not able to perform the separation of active and reactive power in each module under unsymmetrical active power generation.

In the proposed control, individual voltage outer loop controls dc voltage of each inverter module to track



the reference $V = dc$ by the fuzzy controller.

Fig-3: Proposed control system of the grid-connected cascaded PV converters in phase a . (a) CF-DAB dc-dc converters control of one unit in module 1.(b) Cascaded multilevel inverters control

Therefore, the harvested maximum power from j segmented PV arrays with CF-DAB dc-dc converters control can be effectively delivered to grid. Afterward, the maximum power is fed back to reduce the inner loop action. This allows the closed-loop compensators to have smaller gains and hence increased robustness [33]–[35]. The d -axis component command of grid current $i_{ga} d$ is synthesized by the multiple outputs from the n individual voltage loops. The q -axis component command of grid current $i_{ga} q$ is obtained based on the desired reactive power Q_a . The decoupled current loop controls the dq components of grid current $i_{ga} d$ and $i_{ga} q$ to track the

references $I_{ga} d$ and $i_{ga} q$, and then generates the total output voltage regulation $\Delta v_{sa} d$ and $\Delta v_{sa} q$, respectively. The dq components of grid voltage, $v_{ga} d$ and $v_{ga} q$, are

feedback to the output voltage to improve the system dynamic performance, respectively [36]. The output voltage signal $v_{sa} d$ is synthesized by $\Delta v_{sa} d$, $v_{ga} d$ and decoupled variable $\omega L f i_{ga} q$. The output voltage signal $v_{sa} q$ is composed of $\Delta v_{sa} q$, $v_{ga} q$ and decoupled variable $\omega L f i_{ga} d$. Subsequently, $v_{sa} d$ and $v_{sa} q$ are sent to the “active and reactive components extraction” module, which produces the decisive active and reactive components, $v_{sa} d_{-}$ and $v_{sa} q_{-}$ by synchronizing with i_{ga} . And then the “voltage distribution and synthesization” module divides the $v_{sa} d_{-}$ and $v_{sa} q_{-}$ into the n cascaded PV inverter modules according to their respective active and reactive power contribution [29].

5. SIMULATION RESULTS

The large-scale grid-connected cascaded PV system with the proposed control strategy is simulated in MATLAB. The equivalent switching function model in phase a is shown in Fig.3. The same model can be used in phases b and c . Considering the characteristics of PV arrays, the equivalent input current source i_{PV} and voltage source V_{PV} are developed in this model. The duty cycle D determines the LVS voltage as shown in Fig. 3(a) and equivalent dc voltage in cascaded inverter side V_{dc} is controlled to be constant in Fig. 3(b). Therefore, the equivalent voltage source $(1 - D) V_{dc} N$ and current source $(1 - D) i_{s} N$ can be integrated into this model, which i_{s} is the equivalent primary side transformer current and N is the transformer turn ratio. The equivalent dc inductor L_{dc} is connected between V_{PV} and $(1 - D) V_{dc} N$. The transferred power by CF-DAB dc-dc converters is determined by both D and ϕ [32]. Accordingly, the equivalent current source $f(D, \phi) i_{s} N$ can be obtained and connected with voltage source $(1 - D) V_{dc} N$ by equivalent leakage inductor L_s , which $f(D, \phi)$ can be derived from [32, (7) and (8)]. The equivalent inverter output $m_{V_{dc}}$ is connected with grid voltage source v_{ga} by grid inductor L_f . The equivalent current source $m_{i_{ga}}$ is integrated in the middle circuit of this model. The key circuit parameters in simulation are listed in Table I. In this simulation, the fixed simulation step is set to be $1 \mu s$ considering the synchronization between simulation points and switching instant [37]. In this paper, the reactive power injection into grid (inductive reactive power) is defined as negative and reactive power absorption from grid (capacitive reactive power) is defined as positive. The active power injection into grid is defined as positive and active power absorption from grid is defined as negative.

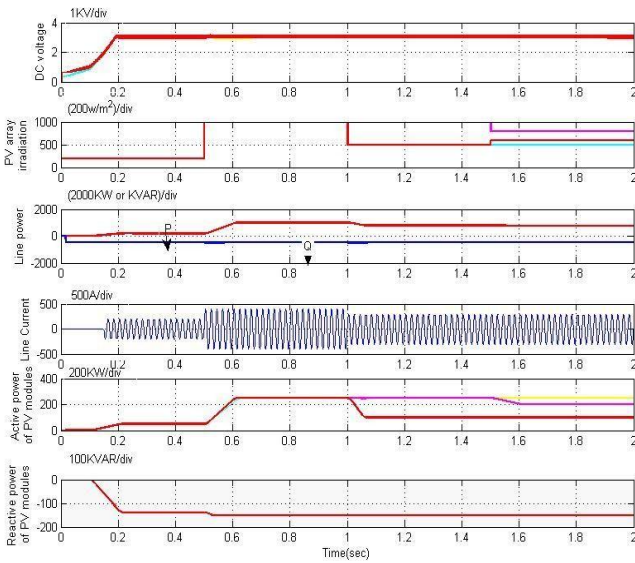


Fig-a: Simulation results of PV system with decoupled active and reactive power control in phase a

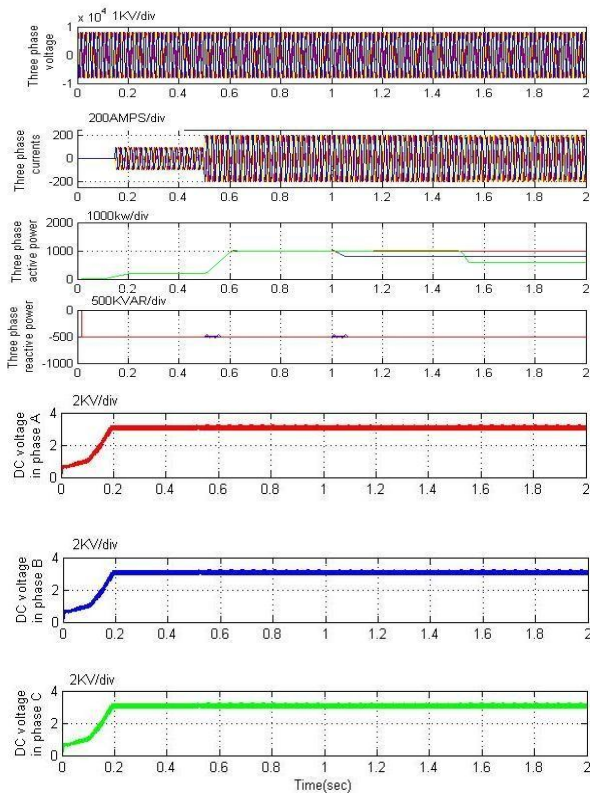


Fig. b. Simulation results of PV system with the proposed control in three phase power distribution.

This paper addressed the active and reactive power Distribution among stability for the large-scale grid connected cascaded PV system. The output voltage for each module was separated based on grid current

Table-2: Comparison of THD

Controllers	THD value
PI CONTROLLER AND PQ THEORY	2.5%
PI CONTROLLER AND SRF THEORY	0.43%
FUZZY CONTROLLER AND PQ THEORY	0.43%
FUZZY CONTROLLER AND SRF THEORY	0.11%

6. CONCLUSIONS

synchronization to achieve independent active and reactive power distribution. A decoupled active and reactive power control strategy was developed to enhance system operation performance. Here in this paper we had proposed Fuzzy Logic Based Control of Grid-Connected Photovoltaic Systems Using Cascaded Modular Multilevel Converters where the controlling circuit or the controller is fuzzy which gives a better results when compared to the previous PI controller. This particular concept of fuzzy controller provides an remarkable reduce of THD values of the previous circuit which is employed by PIcontroller.

REFERENCES

[1] Y. Bo, L.Wuhua, Z. Yi, and H. Xiangning, "Design and analysis of a grid connected photovoltaic power system," *IEEE Trans. Power Electron.*, vol. 25, no. 4, pp. 992-1000, Apr. 2010.

[2] J. Ebrahimi, E. Babaei, and G. B. Gharehpetian, "A new topology ofcascaded multilevel converters with reduced number of components for high-voltage applications," *IEEE Trans. Power Electron.*, vol. 26, no. 11, pp. 3109-3118, Nov. 2011.

[3] L. Nousiainen and J. Puukko, "Photovoltaic generator as an input source for power electronic converters," *IEEE Trans. Power Electron.*, vol. 28, no. 6, pp. 3028-3037, Jun. 2013.

[4] D. Meneses, F. Blaabjery, O. Garcia, and J. A. Cobos, "Review and comparison of step-up transformerless topologies for photovoltaic AC-module application," *IEEE Trans. Power Electron.*, vol. 28, no. 6, pp. 2649-2663, Jun. 2013.



- [5] S. Kjaer, J. Pedersen, and F. Blaabjerg, "A review of inverter topologies for photovoltaic modules," *IEEE Trans. Ind. Appl.*, vol. 41, no. 5, pp. 1292–1306, Sep./Oct. 2005.
- [6] J. Mei, B. Xiao, K. Shen, L. M. Tolbert, and J. Y. Zheng, "Modular multilevel inverter with new modulation method and its application to photovoltaic grid-connected generator," *IEEE Trans. Power Electron.*, vol. 28, no. 11, pp. 5063–5073, Nov. 2013.
- [7] Y. Zhou, L. Liu, and H. Li, "A high performance photovoltaic module integrated converter (MIC) based on cascaded quasi-Z-source Inverters (qZSI) using eGaN FETs," *IEEE Trans. Power Electron.*, vol. 28, no. 6, pp. 2727–2738, Jun. 2013.
- [8] L. Liu, H. Li, and Y. Zhou, "A cascaded photovoltaic system integrating segmented energy storages with self-regulating power distribution control and wide range reactive power compensation," *IEEE Trans. Power Electron.*, vol. 26, no. 12, pp. 3545–3559, Dec. 2011.
- [9] Q. Li and P. Wolfs, "A review of the single phase photovoltaic module integrated converter topologies with three different DC link configurations," *IEEE Trans. Power Electron.*, vol. 23, no. 3, pp. 1320–1333, May 2008.
- [10] L. Zhang, K. Sun, Y. Xing, L. Feng, and H. Ge, "A modular grid-connected photovoltaic generation system based on DC bus," *IEEE Trans. Power Electron.*, vol. 26, no. 2, pp. 523–531, Feb. 2011.
- [11] L. M. Tolbert and F. Z. Peng, "Multilevel converters as a utility interface for renewable energy systems," in *Proc. IEEE Power Eng. Soc. Summer Meet.*, Seattle, Washington, USA, Jul. 2000, pp. 1271–1274.
- [12] M. Malinowski, K. Gopakumar, J. Rodriguez, and M. A. Perez, "A survey on cascaded multilevel inverters," *IEEE Trans. Ind. Electron.*, vol. 57, no. 7, pp. 2197–2206, Jul. 2010.
- [13] S. Harb and R. S. Balog, "Reliability of candidate photovoltaic module integrated inverter (PV-MII) topologies—A usage model approach," *IEEE Trans. Power Electron.*, vol. 28, no. 6, pp. 3019–3027, Jun. 2013.
- [14] L. Liu, H. Li, and Y. Xue, "A coordinated active and reactive power control strategy for grid-connected cascaded photovoltaic (PV) system in high voltage high power applications," in *Proc. IEEE 28th Appl. Power Electron. Conf. Expo.*, Long Beach, CA, USA, Mar. 17–21, 2013, pp. 1301–1308.
- [15] P. Denholm and R. Margolis, "Very large-scale deployment of grid connected solar photovoltaics in the United States: Challenges and opportunities," in *Proc. Nat. Renewable Energy Laboratory Conf. Paper Preprint Solar*, U.S. Department of Energy, 2006.



Mr. CH SREENU was born in India in the year of 1986. He received B.Tech degree in Electrical and Electronics Engineering in the year of 2009 & M.Tech PG in power electronics in the year of 2013 from JNTUH, Hyderabad. He is expert in power electronics and drives, Electrical circuits, Power system Subjects. He is currently working as An Associate Professor in EEE(H.O.D) Department in Dhruva Institute of engineering and Technology , hyderabad ,Telangana State ,India.
mail id: chsreenu245@gmail.com



Mr. N.SAIDULU M.TECH (POWER ELECTRONICS ENGINEERING) PURSUING In Dhruva Institute of Engineering and Technology, NEAR RAMOJI FILM CITY, TOOPRANPET, CHOUTUPPAL MANDAL, NALGONDA DIST, TELANGANA, INDIA.
EMail id: nallaparajusaidulu@gmail.com