



A an Online Resume Builder for Students & Employees

Mehraj Sultana¹; A.Rajpal.Reddy²; M.Madan³& T.Manohar⁴

¹B-Tech Dept. of CSE Lords institute of engineering and technology, HimayatSagar, Hyderabad.

TS Mail Id:- mehrajsulthana13@gmail.com

²B-Tech Dept. of CSE Lords institute of engineering and technology, HimayatSagar, Hyderabad.

TS Mail Id:- rajpalreddy25@gmail.com

³B-Tech Dept. of CSE Lords institute of engineering and technology, HimayatSagar, Hyderabad.

TS Mail Id:- madanyadav997@gmail.com

⁴Associate professor Dept. of CSE Lords institute of engineering and technology, HimayatSagar,

Hyderabad. TS Mail Id:- telugumanohar@gmail.com

Abstract

It is an application that simplifies the task of creating a resume for individuals. The system is flexible to be used and reduces the need of thinking and designing an appropriate resume according to qualifications. The system is developed to provide an easy means for creating a professional looking resume. Individuals just have to fill up a form that specifies questions from all required fields such as personal questions, educational, qualities, interest, skills and so on. The answers provided by the users are stored and the system automatically generates a well-structured resume. Users have option to create resume in any format and file.

Keywords: - Data Upload, Making Resume, Download Resume, and PDF Resume.

1. INTRODUCTION

It is an application that simplifies the task of creating a resume for individuals. The system is flexible to be used and reduces the need of thinking and designing an appropriate resume according to qualifications. The system is developed to provide an easy means for creating a professional looking resume. Individuals just have to fill up a form that specifies questions from all required fields such as personal questions, educational, qualities, interest, skills and so on. The answers provided by the users are stored and the system automatically generates a well-structured resume. Users have option to create resume in any format and file.

2. RELEGATED WORK

Existing System

Before we begin a new system it is important to study the present system that will be improved or replaced. We need to analyze how this system uses hardware, software etc. In this present age of competition our resume need to be prepared and updated according to the changing requirements of industry. The present system for resume building just provides wizard through which one can prepare resume only in given format.

Disadvantages of Present System

- Inability of modification of data Provides fixed format of resume Lack of immediate retrieval Inability of sharing

the resume data

- Lack of expert guidance at every step of building resumes

Characteristics of Proposed system

- Easy to edit and update resume Free Resume hosting
- Wide range of resume formats
- Expert guidance at every step of resume building Search for a particular candidate by skills
- Provides instant resume to individuals.
- There are choices available for resume format for users as per their qualification and requirements.
- Reduces tedious work in thinking and creating resume and is convenient for users.
- Provides quick access and is affordable.
- The system saves time and reduces human efforts.

3. DESIGNING STAGE OF PROJECT

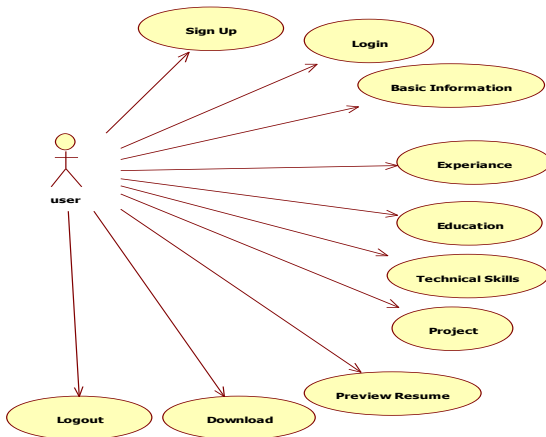


Fig:-1 User Case of Application

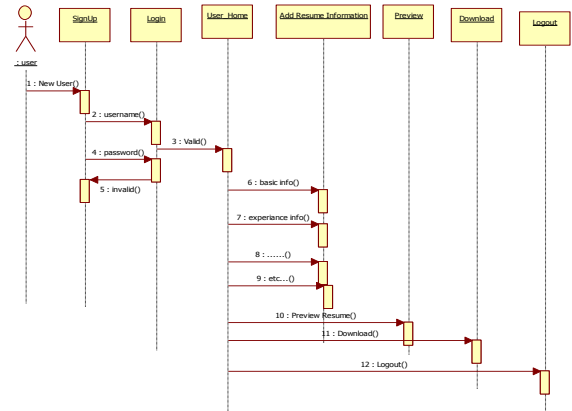


Fig:-2 Sequence Diagram

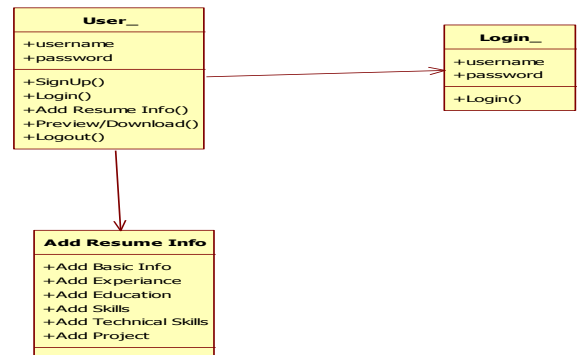


Fig:-3 Class Diagram

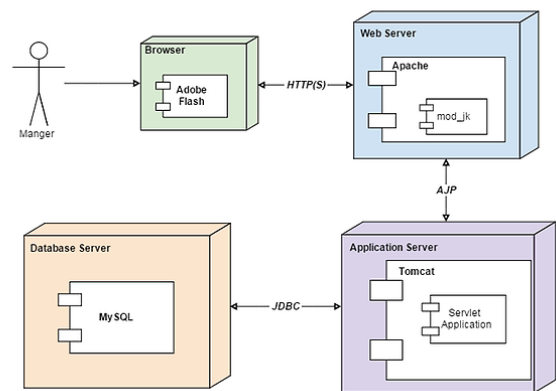


Fig:-4 Deployment Of Application

4. EXPERIMENTAL RESULTS



Fig:-5 Home Page

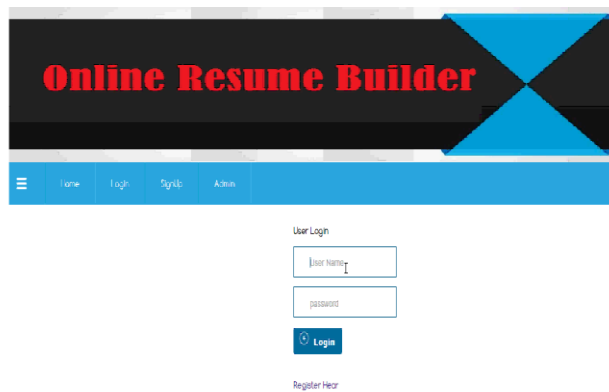


Fig:-6 Authentication and Authorization

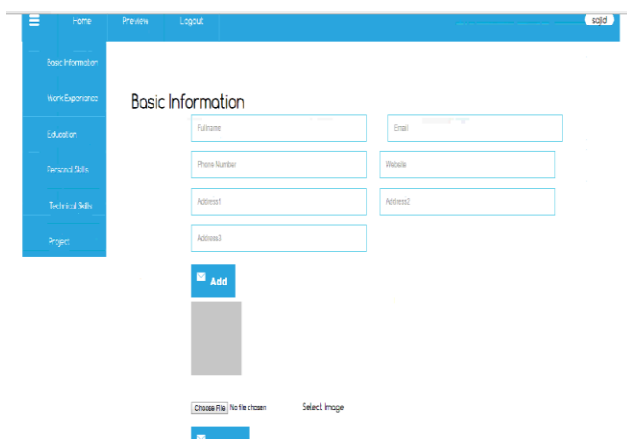


Fig:- 7 Data Upload



Fig:-8 Final Resume

5. CONCLUSION

This was our project of System Design Lab about “ONLINE RESUME BUILDER”. Development of this System takes a lot of efforts from us. We think this system gave a lot of satisfaction to all of us. Though every task is never said to be perfect in this development field even more improvement may be possible in this system. We learned so many things and gained a lot of knowledge about development field. We hope this will prove fruitful to us.

6. REFERENCE

- [1]. www.iisjaipur.org/iim-current...
- [2]. <http://www.w3schools.in/java-tutorial/intro/>
- [3]. <https://www.youtube.com/watch?v=YLBkqTnjn7s>
- [4]. <https://www.utdallas.edu/career/docs/students/resumepacket.pdf>